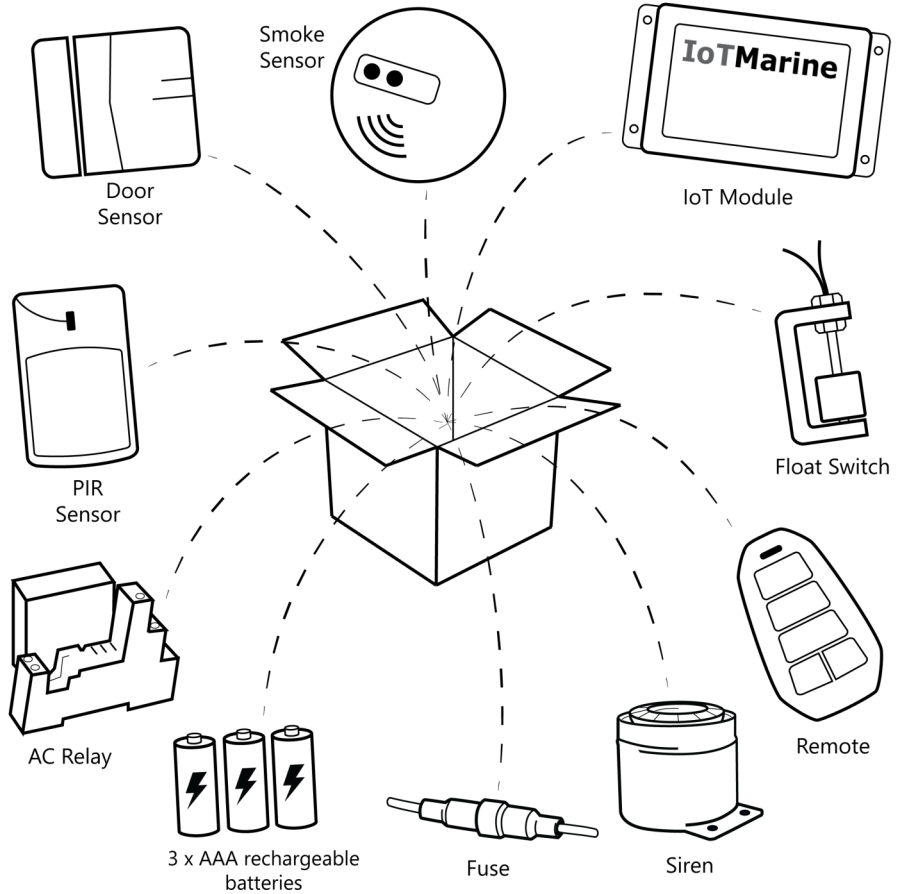


Quick Start Guide

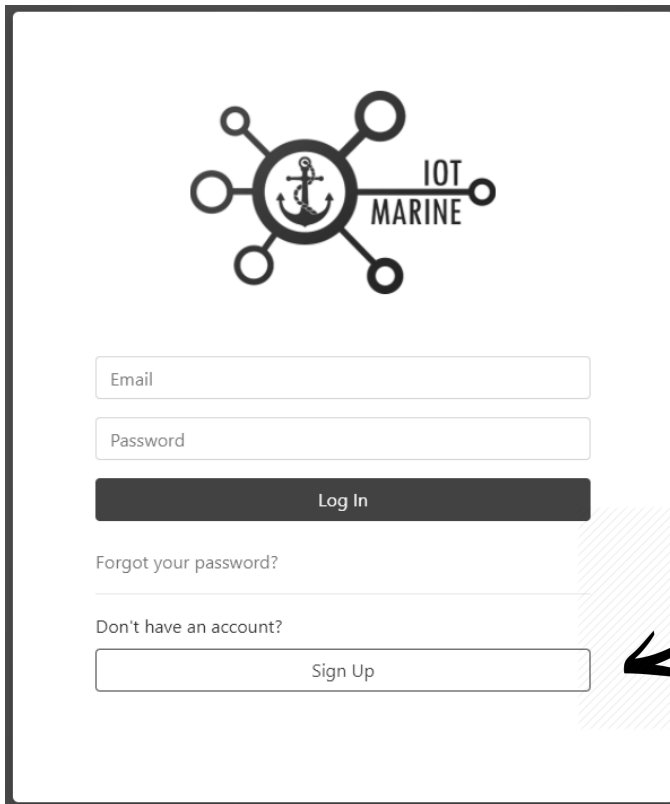
Package Contents



Setting Up

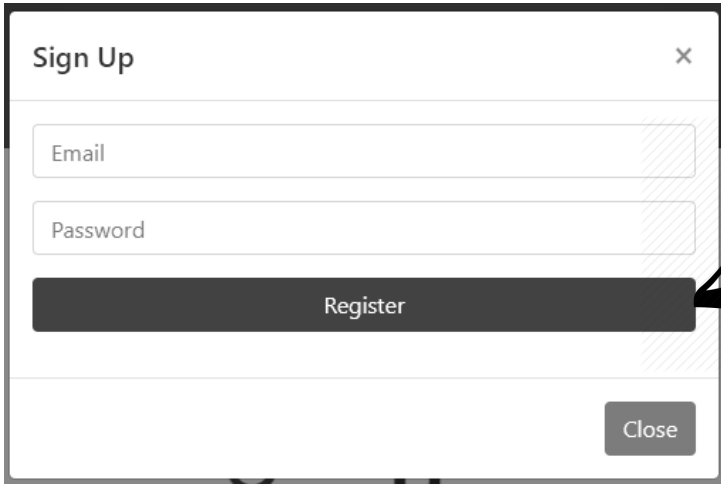
- 1 Head over to the following URL to create an account or download the IoT Marine application from Google Play

<https://iotmarine.iotsolutions.com.mt>



The screenshot shows the IoT Marine login and sign-up interface. At the top center is the IoT Marine logo, which consists of a central circle containing an anchor, surrounded by six smaller circles connected by lines, with the text 'IOT MARINE' to the right. Below the logo are two input fields: 'Email' and 'Password'. Underneath these is a dark grey button labeled 'Log In'. Below the 'Log In' button are two links: 'Forgot your password?' and 'Don't have an account?'. At the bottom is a 'Sign Up' button. A grey hatched area on the right side of the page contains a black arrow pointing towards the 'Sign Up' button.

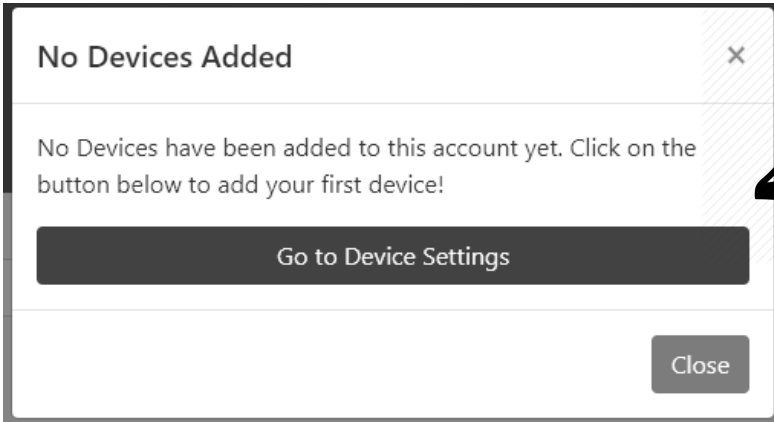
2 Register by entering your credentials and press on Register'



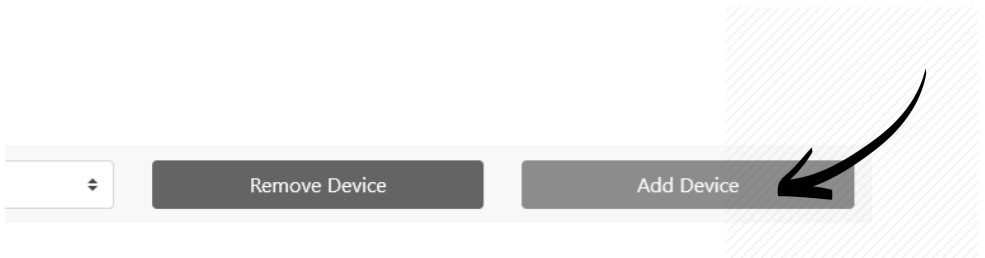
The image shows a 'Sign Up' form with the following elements:

- Title: Sign Up (with a close 'x' icon in the top right corner)
- Input field: Email
- Input field: Password
- Button: Register (highlighted with a dark background and an arrow pointing to it from the right)
- Button: Close (located in the bottom right corner)

3 Upon logging in for the first time you will be asked to link a device to your account



Press on 'Add Device'

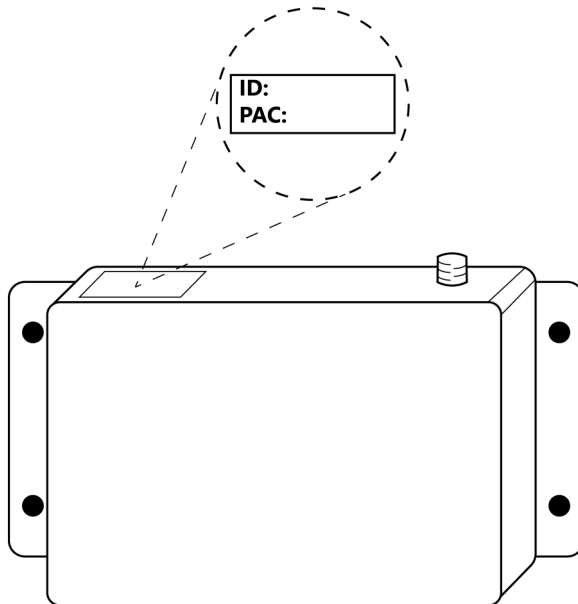


4 Enter the Device ID located at the top of the device

Add Device ×

Add Device

Close



5 Setup E-Mail and SMS notifications (optional)

Notifications

Email Phone Number (eg. +35600000000)

Device Voltage
 SMS Email

Water Ingress
 SMS Email

Intrusion Detection
 SMS Email

Smoke Alarm
 SMS Email

Shore Power
 SMS Email

System Restart
 SMS Email

Temperature

 SMS Email

Battery Bank 1

 SMS Email

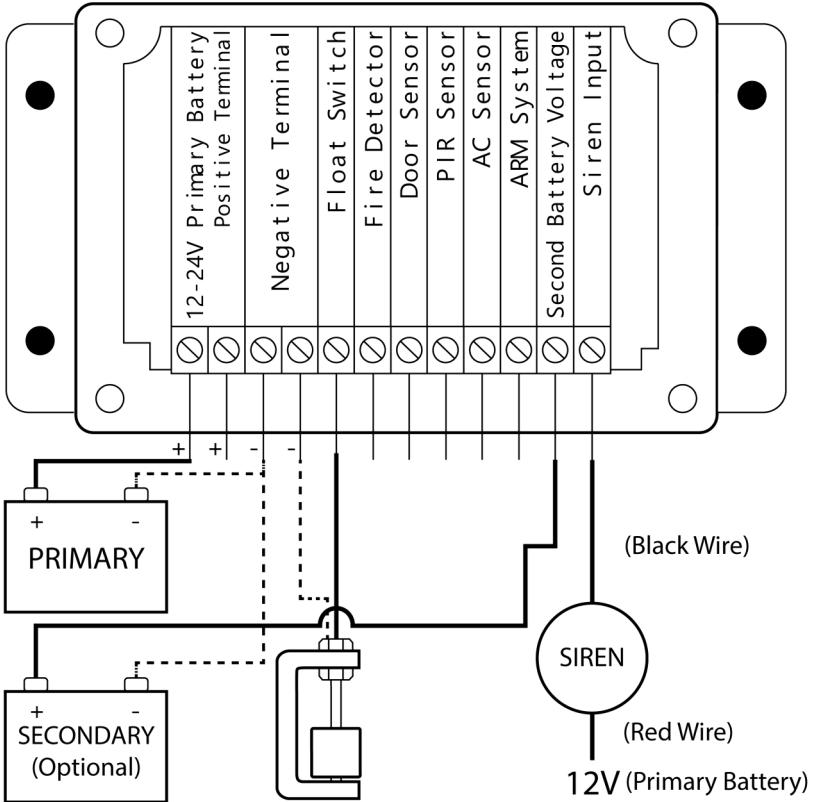
Battery Bank 2

 SMS Email

Save Notifications

6 Connecting wired inputs.

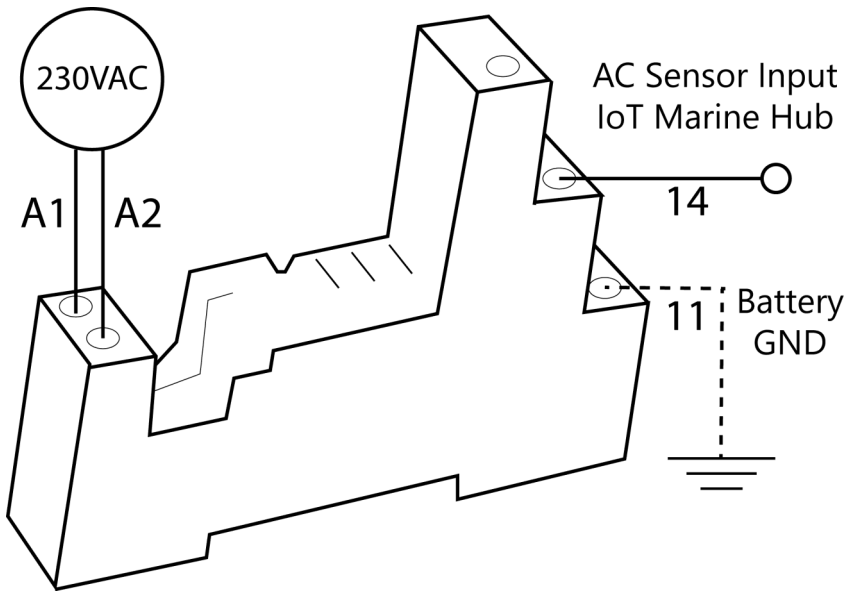
The IoT module has six normally open inputs which can be used for wired sensors.



Wired sensors may require supply as well and are wired similar to the float switch.

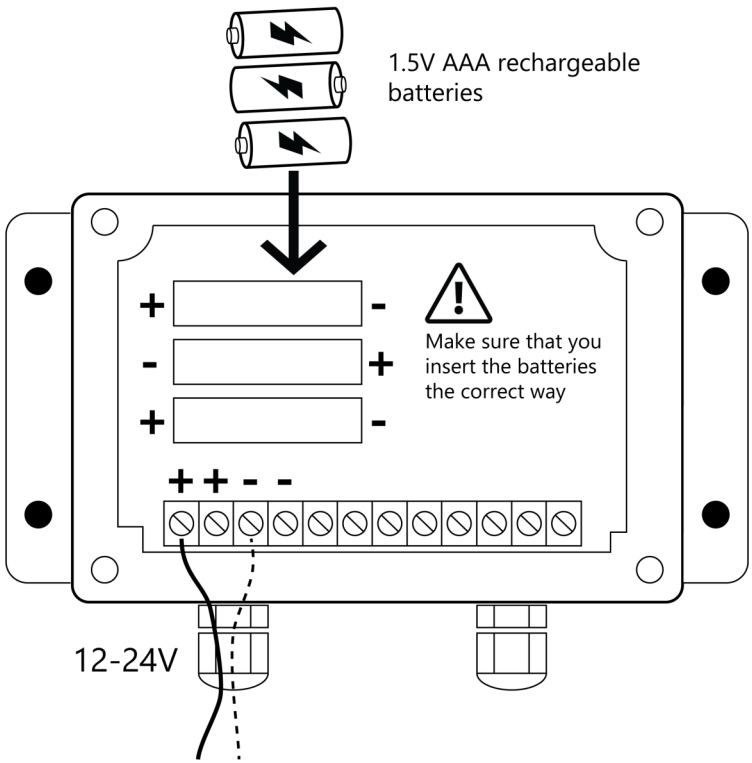
Multiple sensors of the same type may be wired in parallel to the same input.

AC Shore Power Detection Wiring Diagram (optional)



7 Power up the IoT module.

Batteries are used in order to resume normal operation in the case of a power cut. Make sure to use AAA 1.5V *rechargeable* batteries.



The device should beep once, twice then three times after power up. The IoT module is then ready to be used.

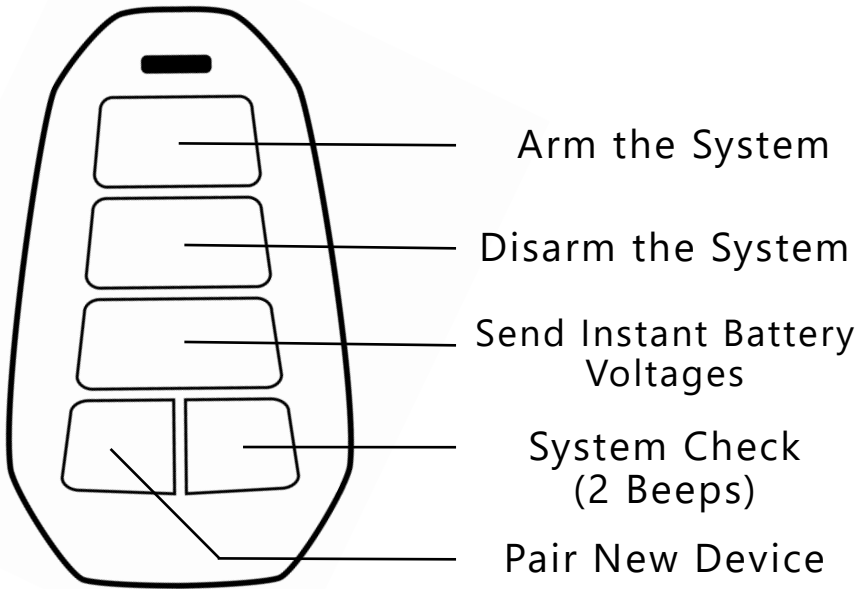
8

Install the Wireless Sensors

1. All the wireless sensors are pre-paired to the IoT Marine Hub.
2. Remove the battery pull tab and insert battery to activate the following wireless sensors
 - A. Remote (3V CR2032)
 - B. Smoke Sensor (9V Standard Battery)
 - C. Door Sensor (3V CR2450)
 - D. PIR Sensor (3V CR123A)
3. Close and Install the Sensors using the provided mounts.

9

Remote Functionality



With the system armed, the system will send notifications via E-Mail and SMS (if configured) if the PIR or Door sensors detect movement

Purchasing

Head over to **www.iotsolutions.com.mt** to purchase additional wireless and wired sensors from our products section.

Wired Sensors/Accessories:

- PIR
- Door
- Smoke/Heat
- Siren
- Float
- Gas/LPG

Wireless Sensors/Accessories:

- PIR
- Door
- Smoke/Heat
- Remote
- Wireless Module for Connectivity

DISCLAIMER

To the best of our knowledge, the information in this document was correct at the time it was produced. However, IoT Solutions Ltd., cannot accept liability for any inaccuracies or omissions it may contain. In addition, our policy of continuous product improvement may change specifications without notice. As a result, IOT Solutions Ltd., cannot accept liability for any differences between the product and this document. Please check the IOT Solutions Ltd website (www.iotsolutions.com.mt) to ensure you have the most up-to-date version(s) of the documentation for your product.



+356 2552 4101



www.iotsolutions.com.mt



info@iotsolutions.com.mt

Thank you from the IoT Solutions team!